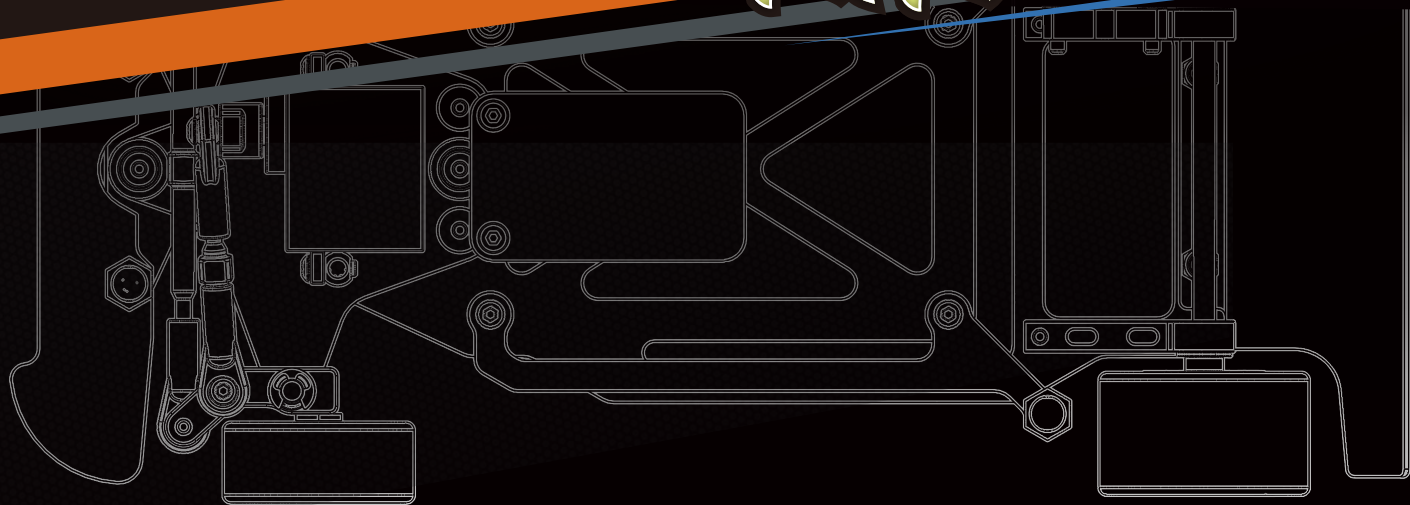




S440

RTR



SERPENT



INTRODUCTION

Serpent enters the small scale competition market with the S240, which like all our previous cars, has been designed to perform straight from the box. Made using top quality materials throughout, the S240 should see you in the winners circle in no time. In fact everything associated with this car is of the highest quality, from the packaging and supplied manuals, right through to the product and race support.

INSTRUCTIONS

Serpent's long tradition of excellence extends to their instruction manuals, and this instruction manual is no exception. The easy-to-follow layout is richly illustrated with 3D-rendered full-color images to make your building experience quick and easy. Following the instructions will result in a well-built, high-performance racecar that will soon be able to unleash its full potential at the racetrack.

EXPLODED VIEWS AND PARTS LIST

The exploded views and parts lists for the Serpent S240 are presented in the Reference Guide section in the back of this manual. The exploded views show all the parts of a particular assembly step along with the Serpent part number. The parts lists indicate the part number and name of each part for easy reference when ordering.

SAFETY

Included with your Serpent S240 kit is a document entitled "Read This First" that covers safety precautions for the assembly and use of this product. We strongly recommend that you thoroughly read and understand that document, and follow all the precautions.

SERPENT.COM

The printed instruction manual included with your Serpent S240 kit is very complete, though due to continuous product development, more up-to-date information may be provided at our Serpent.com website.

All information about the Serpent S240 is accessible from the Serpent S240 product page found on Serpent.com and can be accessed by simply typing **serpent.com/420002/420003** into your web browsers address bar.

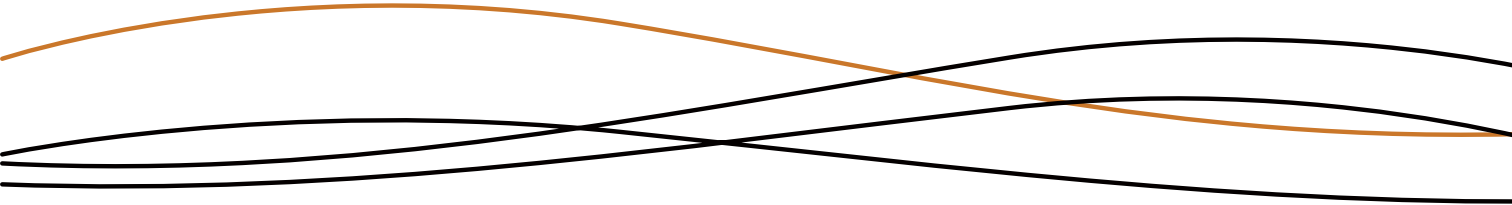
From the Serpent S240 product page you will find the very latest information about your Serpent S240: reports by team drivers and other experts, tips and tricks, setups, image gallery and downloadable files including the latest version of the instruction manual will be made available as downloadable PDF files.

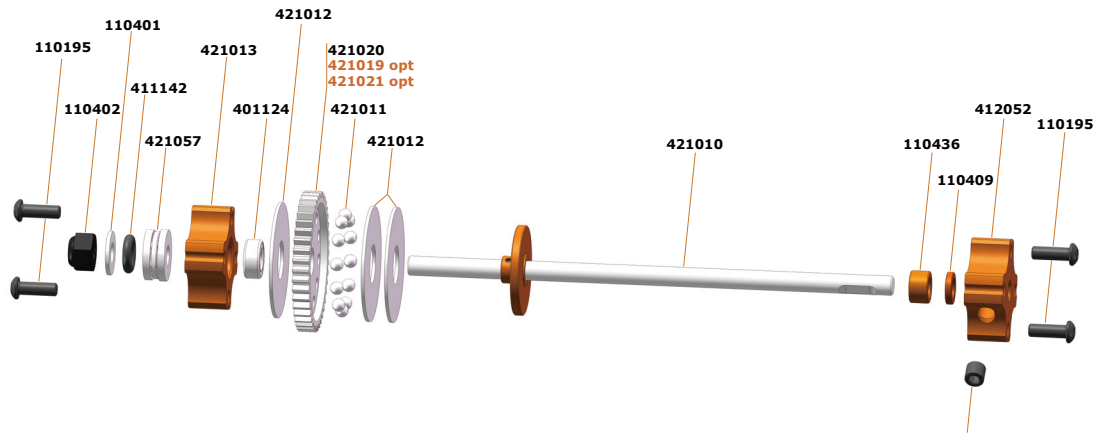
CONTENTS

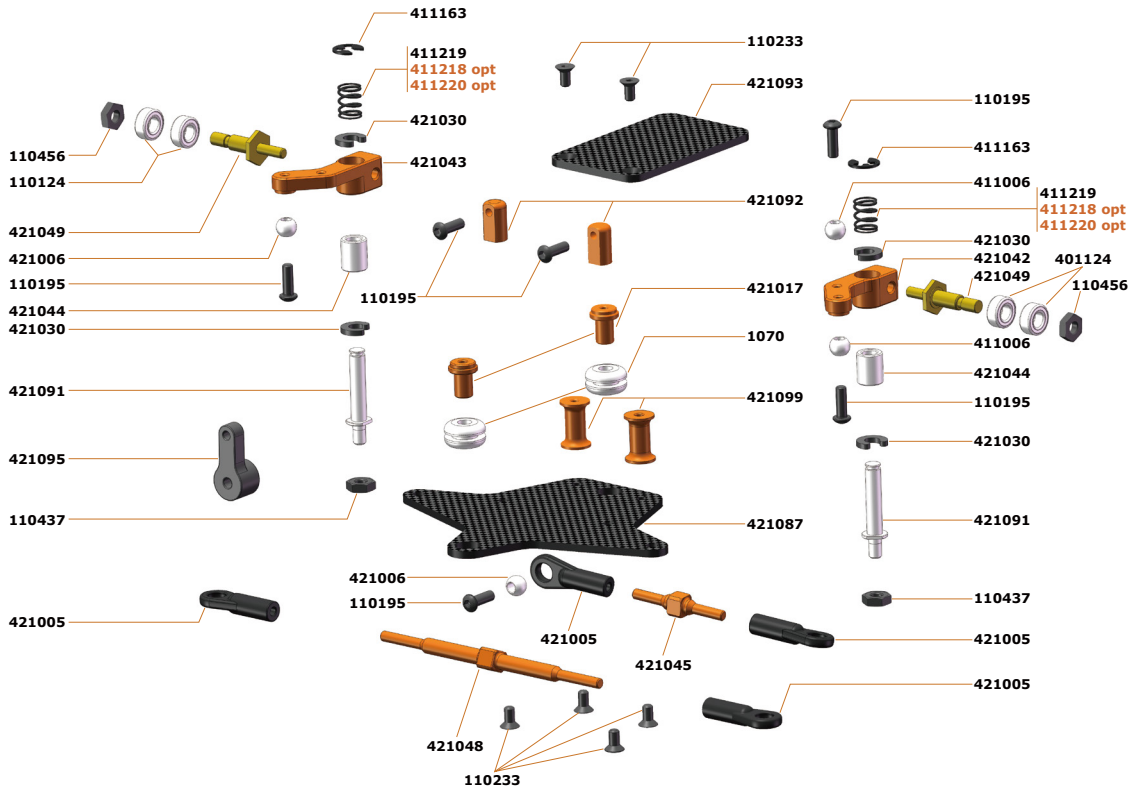
EXPLODED VIEWS

4

EXPLODED VIEWS







421025
421026 opt
421027 opt

110234

110195

421094

110195

421094

421099

421099

421007

421008

110233

110195

110234

421007

421089

421007

1399

421088

110195

421088

421009

110465

421090

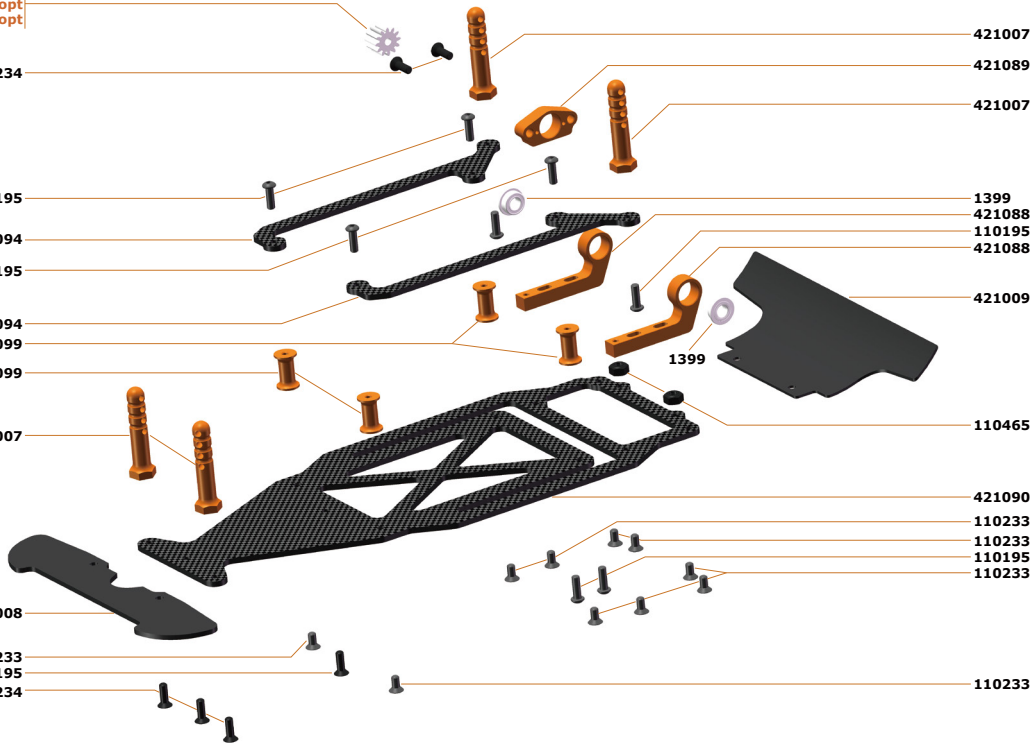
110233

110233

110195

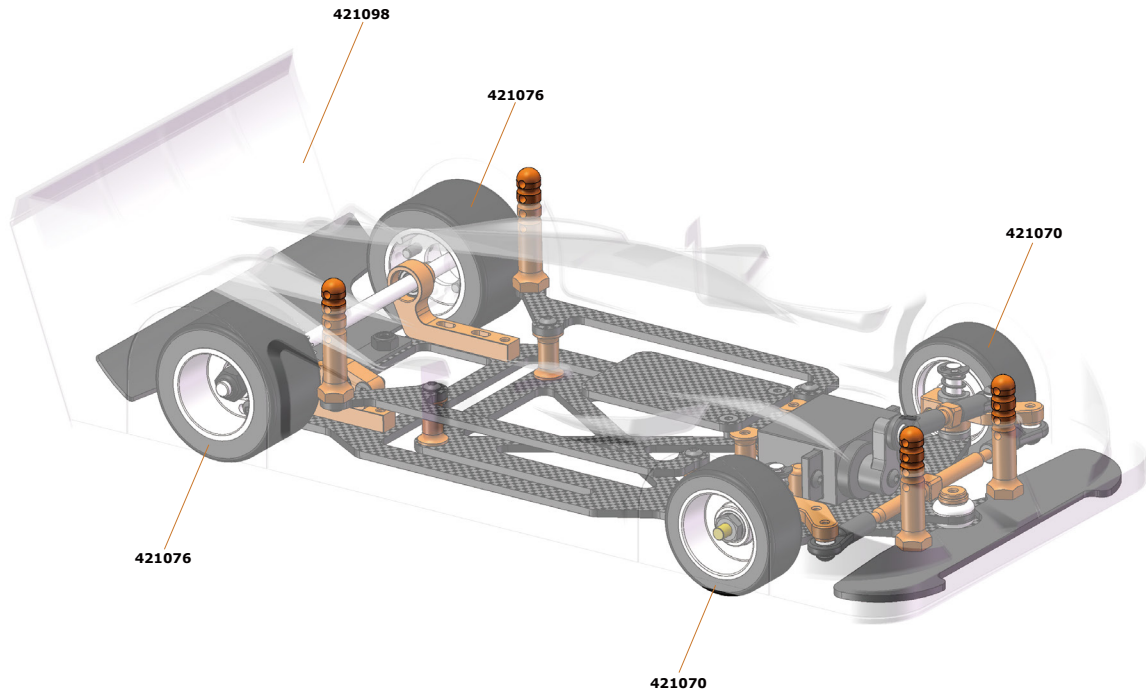
110233

110233



421026 Pinion 12T
421027 Pinion 8T







210018
Transmitter set
DTS-5 2.4GHz

UNLOCKING OF
BATTERY CASE
(USE AAA BATTERY X4)



211017
Receiver and
Micro speed
controller



210020
Micro servo

SERPENT WEBSITE AND BLOG

www.serpent.com
www.teamserpent.com
www.dragon-rc.com

SERPENT PROMO PAGES <http://promo.serpent.com>

SERPENT FACEBOOK GROUPS <http://promo.serpent.com/indexfb.htm>

SERPENT ADVANCED MANUALS <http://promo.serpent.com/sam/>

SERPENT SOCIAL MEDIA



www.facebook.com/SerpentMRC



www.youtube.com/user/SerpentMRC



www.twitter.com/SerpentMRC

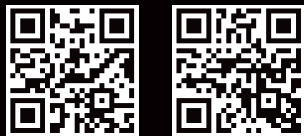


www.plus.google.com/+SerpentModelcars/posts



www.weibo.com/teamserpent

INSTRUCTION MANUAL



Manual S240 '21 #98593-1

SERPENT